

**BENEFITS:**

- Assure the time reliability of watch
- Lasts longer in watch



**APPLICATIONS BEST FOR:**



- **GP Silver Oxide Battery**
- **1.55 Volts**

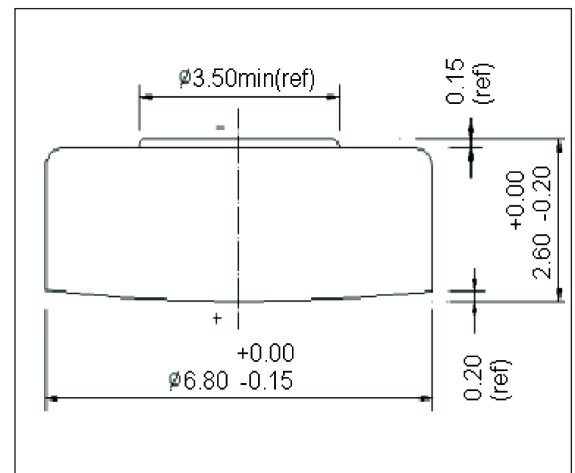
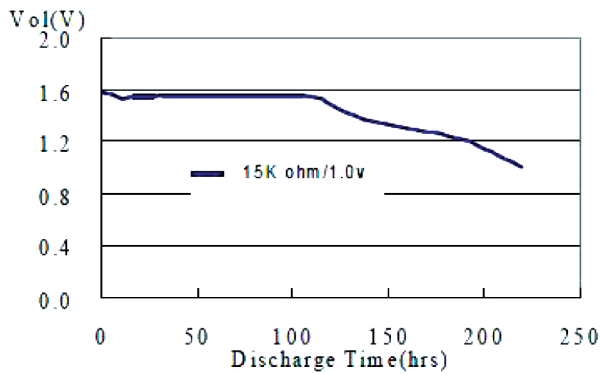
**Other Details:**

- Mercury Free Zinc/ Silver Oxide chemistry
- Button cell type
- Average weight: 0.4g

**Cross Reference:**

GP	IEC	Energizer	Varta	Sony/ Maxell	Duracell
377	SR66	377/ 376Z	V377	SR626SW/ SR626W	377/ 376

Typical discharge characteristics at 20±2°C



Unit : mm